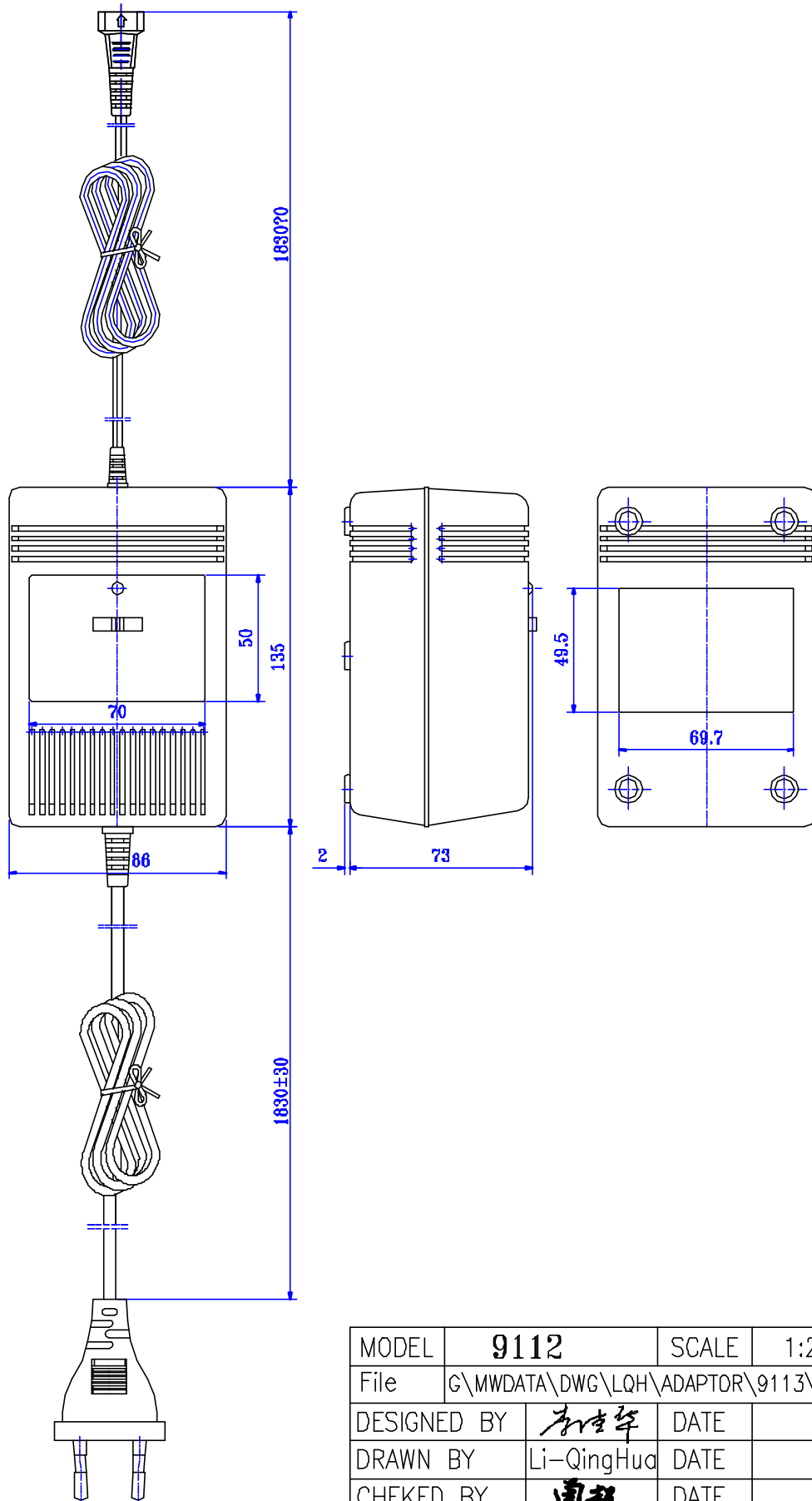


CASE & CORD DIMENSION



MODEL	9112	SCALE	1:2
File	G\MWDATA\DWG\LQH\ADAPTOR\9113\UK6.DWG		
DESIGNED BY	李清华	DATE	
DRAWN BY	Li-QingHua	DATE	
CHEKED BY	曾超	DATE	