

6

5

4

3

2

1

D

C

B

A

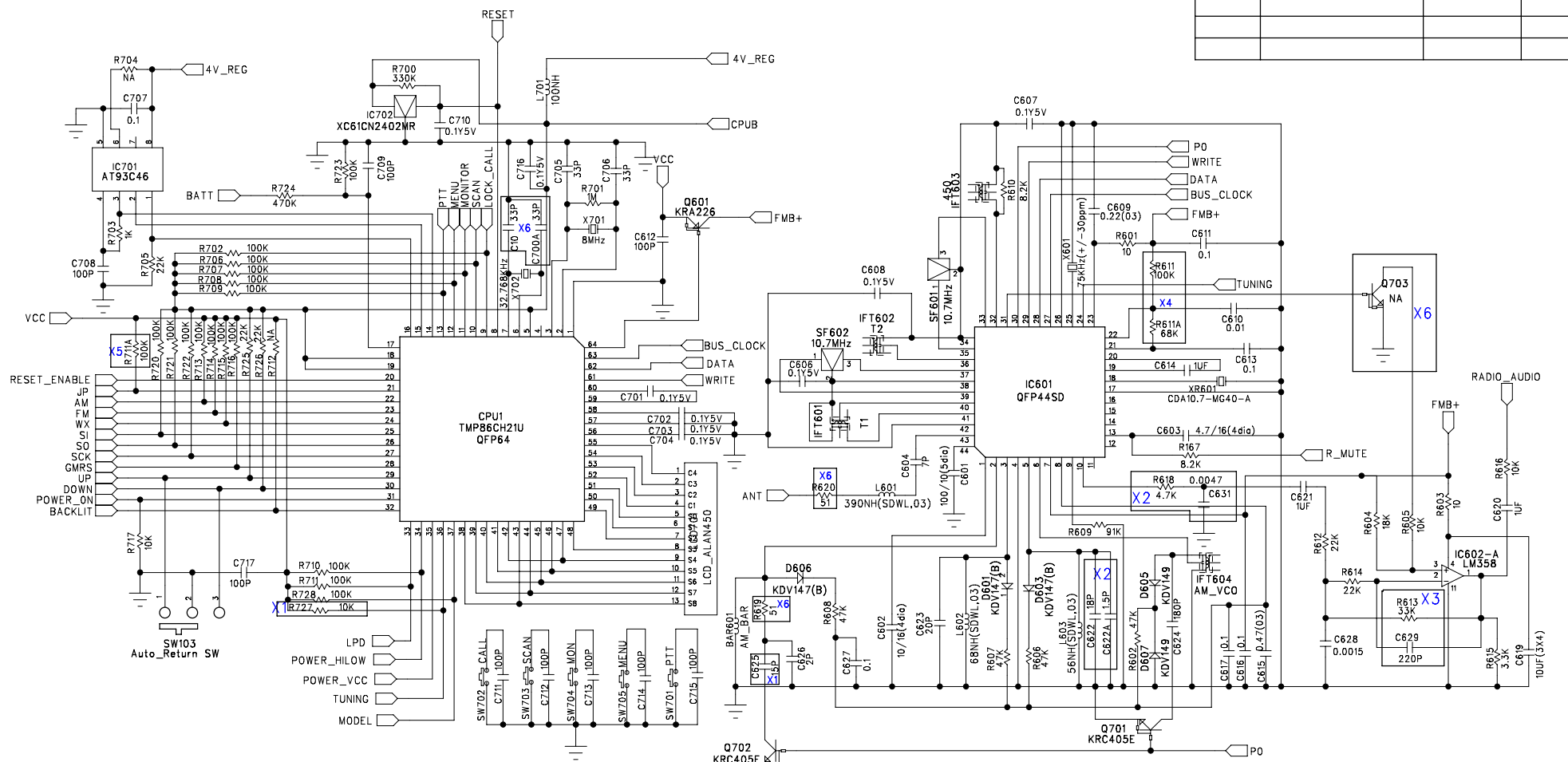
D

C

B

A

REVISION RECORD			
LTR	ECO NO:	APPROVED:	DATE:



COMPANY:			
TITLE: Base Camp446 AM/FM			
CODE:	SIZE:	DRAWING NO:	REV: X6
SCALE:	SHEET: OF		

DRAWN:	DATED:
CHECKED:	DATED:
QUALITY CONTROL:	DATED:
RELEASED:	DATED: 2008/09/09