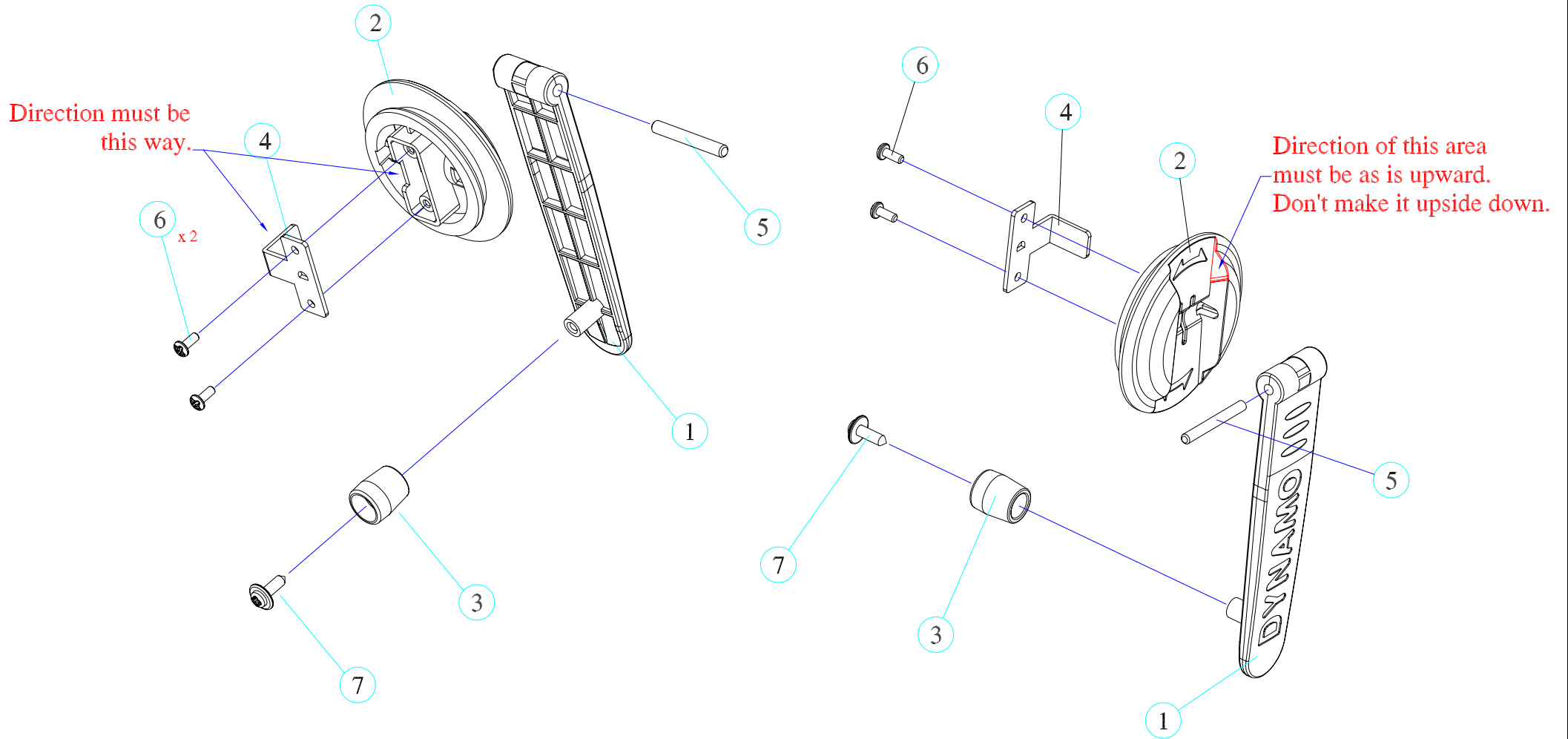


Base Camp 446, Dynamo Handle assembly method
July 25, 2008



No.	Dwg. No.	Part Name	Descriptions	Q'ty	Remark
1	XT511-017	Dynamo Arm	PC Black	1	
2	XT511-018	Dynamo Frame	PC Black	1	
3	XT511-016	Dynamo Knob	ABS Black	1	
4	XT511-026A	Dynamo Shaft Holder	Galvanized steel 1.6t	1	
5	XT511-027	Pin for Dynamo Handle	BSBM 2.5/Ni-plate	1	
6		Screw	BH T2.0x6 Ni-Plate	2	
7		Screw	WH T2.6x8 Black	1	