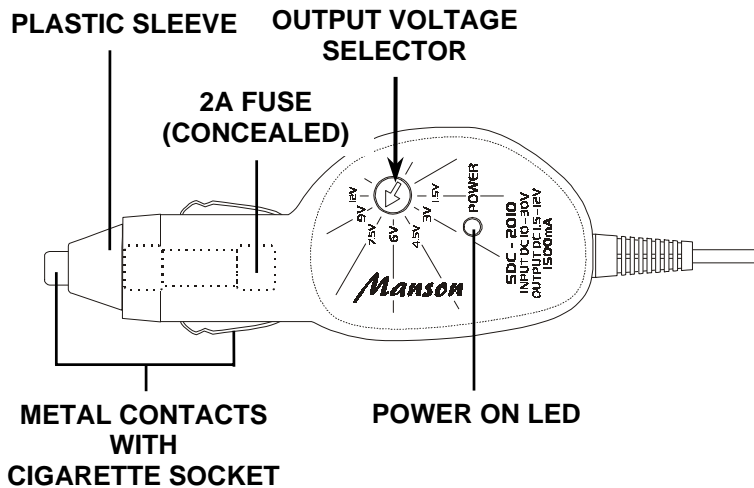


SDC – 2010

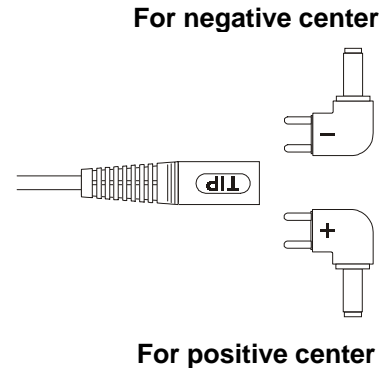
OPERATION MANUAL

*Thank you for buying this ENERGY CONSERVATION PRODUCT.
Why waste batteries when you can get free electricity from your vehicle ?*

1. Adjust Voltage



2. Set Polarity



PARTS OF THE CAR POWER ADAPTER

WARNING

INCORRECT OUTPUT VOLTAGE AND OR POLARITY MAY DAMAGE YOUR PORTABLE

Do Not use this adapter if you are not sure of the polarity and voltage of the DC input of your portable.

Do Not use this adapter for the portable that requires a continuous current input higher than 1500mA

Do Not cover the adapter during operation as ventilation is essential for proper operation.

Do Not use the adapter while starting the vehicle.

It is advisable **not to use** the car power adapter for extensive period when the **engine is turned off**. Depending on the power consumption of your portable and the capacity of your car battery, it may drain your battery flat.

Before using this adapter, make sure you read this operation manual in full and keep it in a safe place for future reference.

OPERATION PROCEDURE

Preparation

1. Take out the batteries and switch off your portable.

2. Selecting the right voltage for your portable

Use a small screw driver to set the head of the recess arrow to point to your chosen voltage.

3. Finding out whether your portable is center POSITIVE or center NEGATIVE.

Most portables have the following markings on or near the Input Socket showing voltage and polarity.



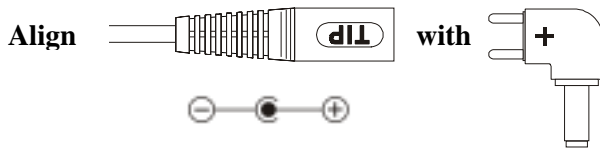
When the center is linked to a + sign, it is then center POSITIVE

When the center is linked to a - sign, it is then center NEGATIVE

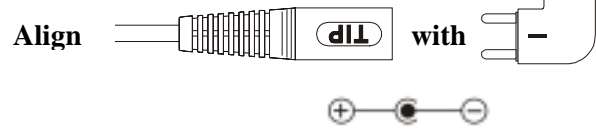
4. Setting the chosen polarity for the output plug.

- There is only one engraved marking on the cable socket it is **TIP**
- But each of the supplied output plugs has two engraved markings , + and – sign just above the pins.

FOR CENTER POSITIVE SET UP



FOR CENTER NEGATIVE SET UP



5. Plug in the car power Adapter to the cigarette lighter socket and check the LED light is on for proper connection
6. Double check for polarity and voltage of your portable and adapter setting.
7. Plug in the output plug into your portable.
8. Switch on your portable as usual.

TROUBLE SHOOTING

1. Power indicator LED is not ON.

POSSIBLE CAUSES : **A)** No DC power from the Cigarette Lighter Socket. Check with the cigarette lighter if it works **B)** Cigarette Lighter Socket may be too loose. **C)** Contact metal strips not in contact with socket. Check Spring Action of metal strip and turn plug slowly until LED light turns On. **D)** Fuse burnt off, Replace the 2A Fuse . Turning the plastic sleeve anti-clockwise would get to the fuse.

2. Power Indicator LED is On, but connected portable is not working.

POSSIBLE CAUSES : **A)** Check portable has been turned on. **B)** Check voltage and polarity settings. **C)** Check connection to the portable is secure

APPLICATION

