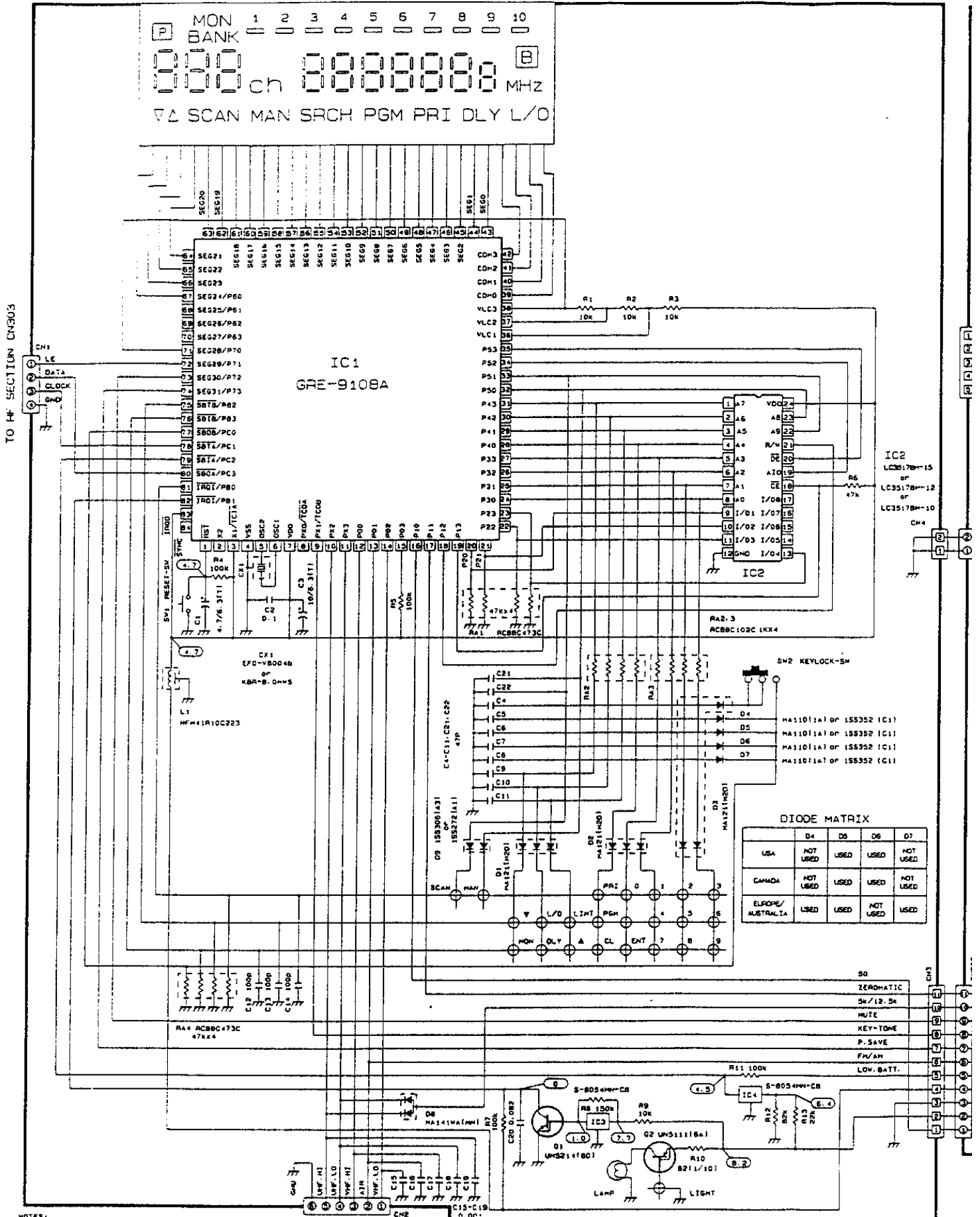


SCHEMATIC DIAG



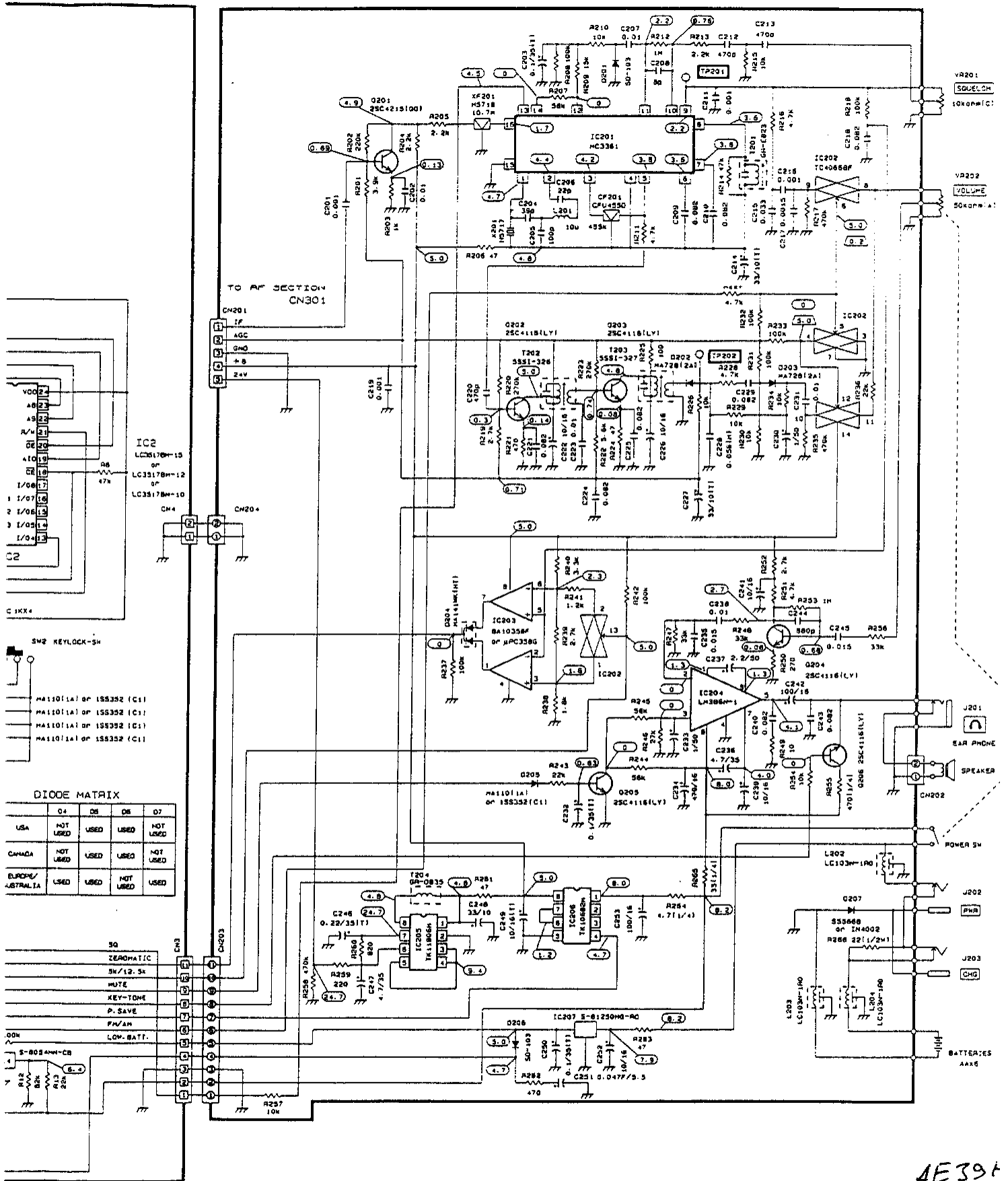
NOTES:

1. RESISTANCE VALUES IN OHMS (K=KILO OHM M=MEG OHM)
2. CAPACITANCE VALUES IN UF (P=PICO FARAD)
3. IT1-TANTALUM CAPACITOR
4. IN1-NEYLAR CAPACITOR
5. NO SUFFIX- CERAMIC CAPACITOR
6. THIS SYMBOL DENOTES DC VOLTAGE MEASURED WITH DC VOLTMETER (100OHM/V) UNDER FOLLOWING CONDITIONS:
CH 1 HIGH BAND AT 150MHZ. MANUAL OPERATION. VOLUME AT MINIMUM AND SQUELCH OFF
7. THIS SYMBOL DENOTES DC VOLTAGE FOR AIRCRAFT BAND OPERATION
8. RATING OR TYPE NUMBER OF COMPONENT PARTS ARE SUBJECT TO CHANGE FOR IMPROVEMENT WITHOUT NOTICE

TO RF SECTION CN302

LAST NO.
LOGIC PCB AF PCB
IC-4 IC-207
D-9 D-207
P-13 P-206
C-22 C-253

SCHEMATIC DIAGRAM

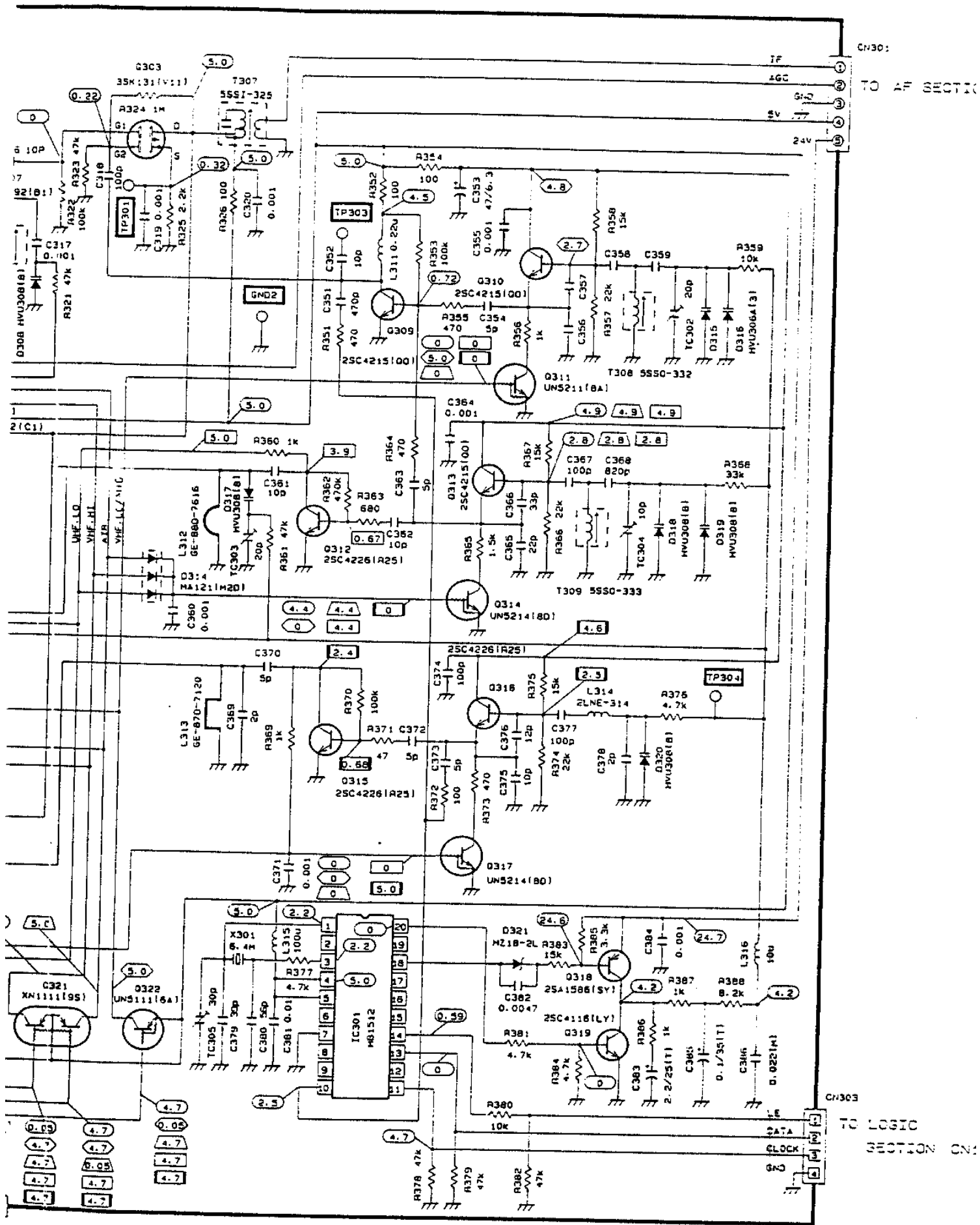


DIODE MATRIX

	D4	D5	D6	D7
USA	NOT USED	USED	USED	NOT USED
CANADA	NOT USED	USED	USED	NOT USED
EUROPE/ AUSTRALIA	USED	USED	NOT USED	USED

- NO. : PCB AF PCB
 IC-207
 Q-207
 Q-206
 P-268
 C-253

AE391



CN30:
TO AF SECTION

CN303
TO LOGIC SECTION CN1

N CN2