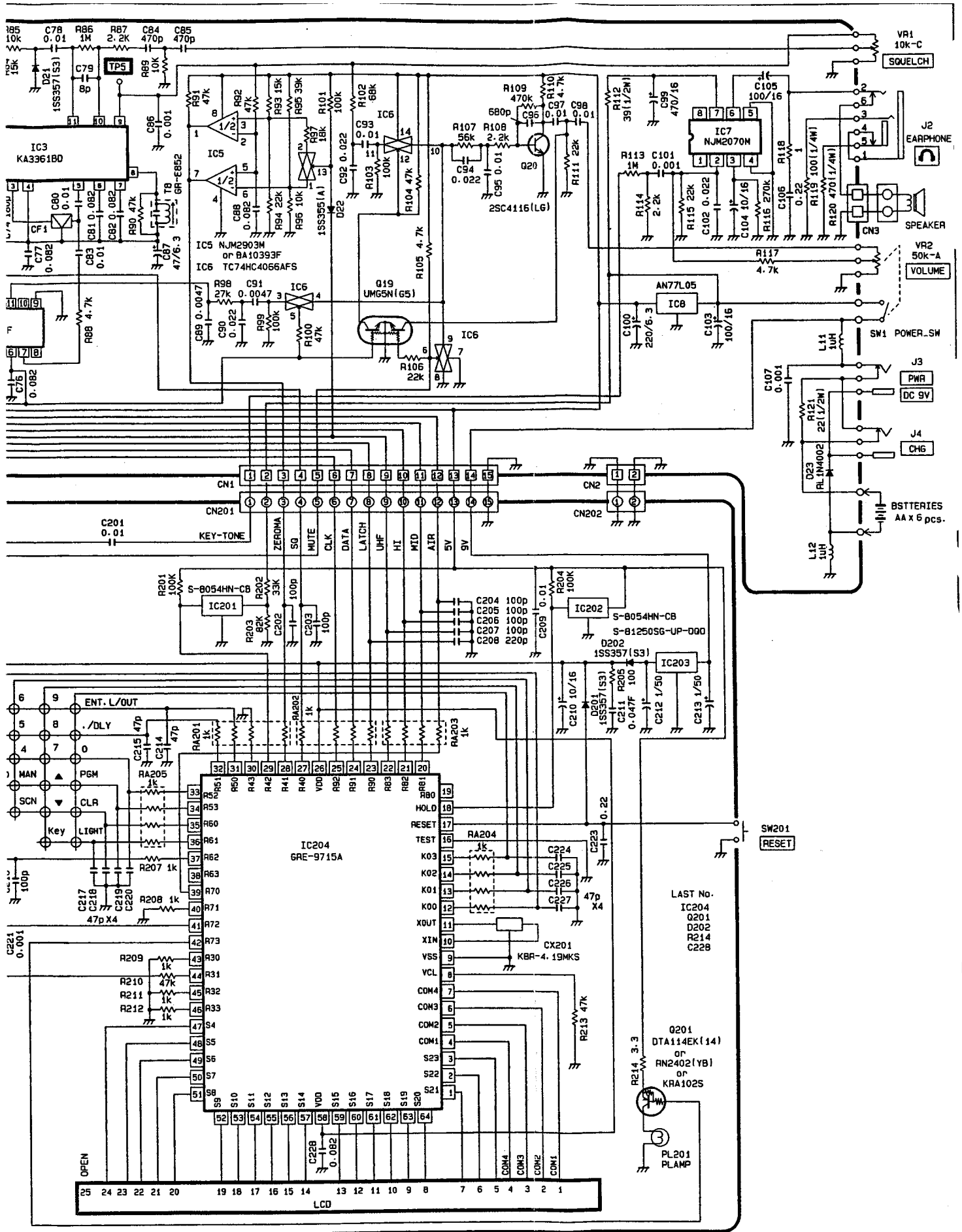


LAST NO.  
IC8  
Q20  
D23  
R121  
C107

THIS ( OF GEI  
INFORM  
IS NO  
ANY W  
PARTY  
GNFR



THIS DOCUMENT CONTAINS PROPRIETARY INFORMATION OF GENERAL RESEARCH OF ELECTRONICS, INC. THIS INFORMATION IS ISSUED ON THE CONDITION THAT IT IS NOT TO BE COPIED REPRINTED OR DISCLOSED IN ANY WAY EITHER WHOLLY OR IN PART, TO A THIRD PARTY WITHOUT THE PRIOR WRITTEN CONSENT OF GENERAL RESEARCH OF ELECTRONICS, INC.

SCALE	REVISION	REMARKS	TITLE
			SCHMATIC DIAGRAM FOR AE75H
DATE: FEB . 4 . 1998			
DRAWING NO. GE-98C-2930	DRAWN: <i>[Signature]</i>	CHECKED: <i>[Signature]</i>	
	APPROVED: <i>[Signature]</i>		
			GENERAL RESEARCH OF ELECTRONICS, INC.