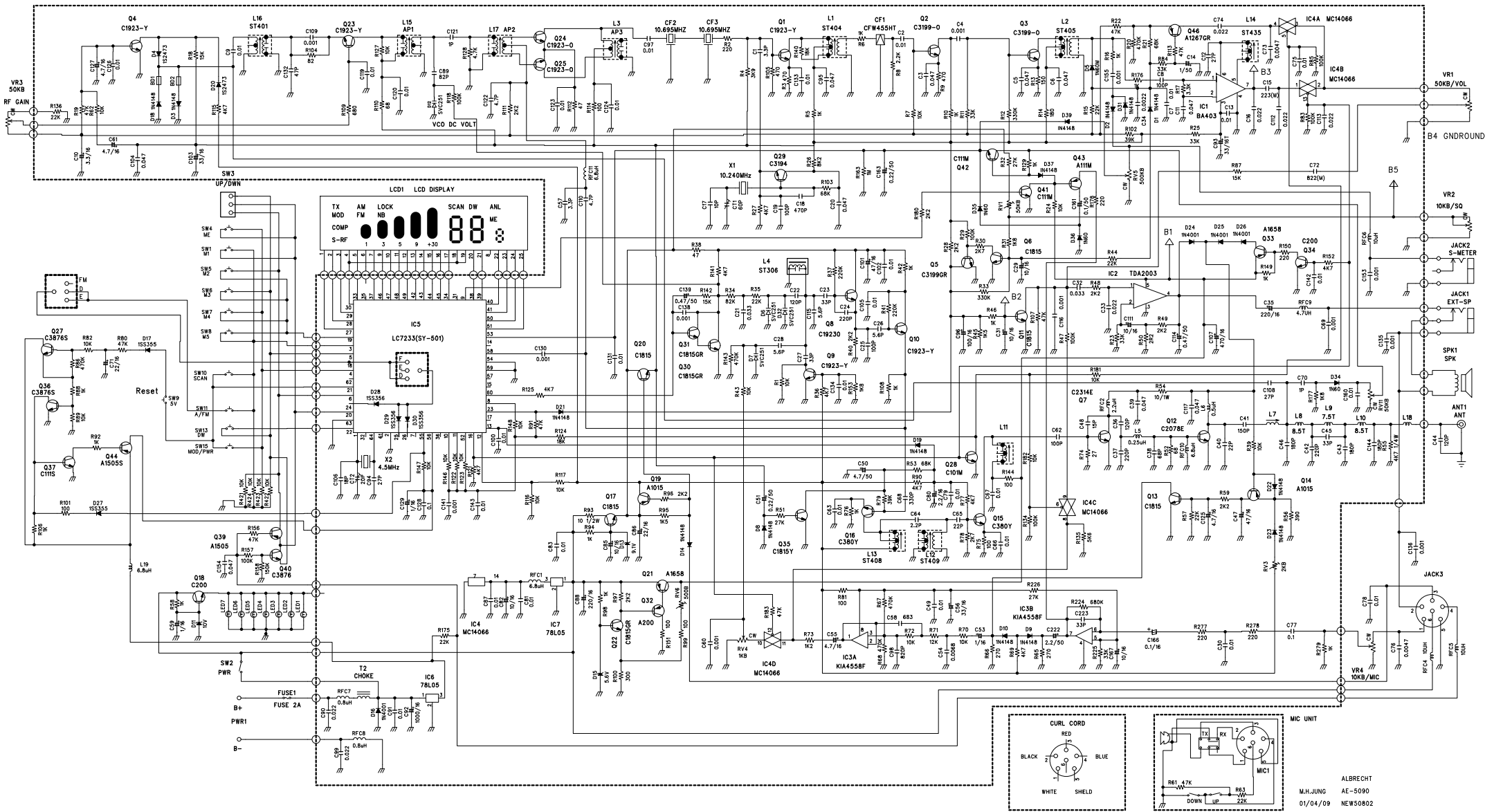


# SCHEMATIC DIAGRAM



ALBRECHT  
M.H.JUNG AE-5090  
01/04/09 NWS50802