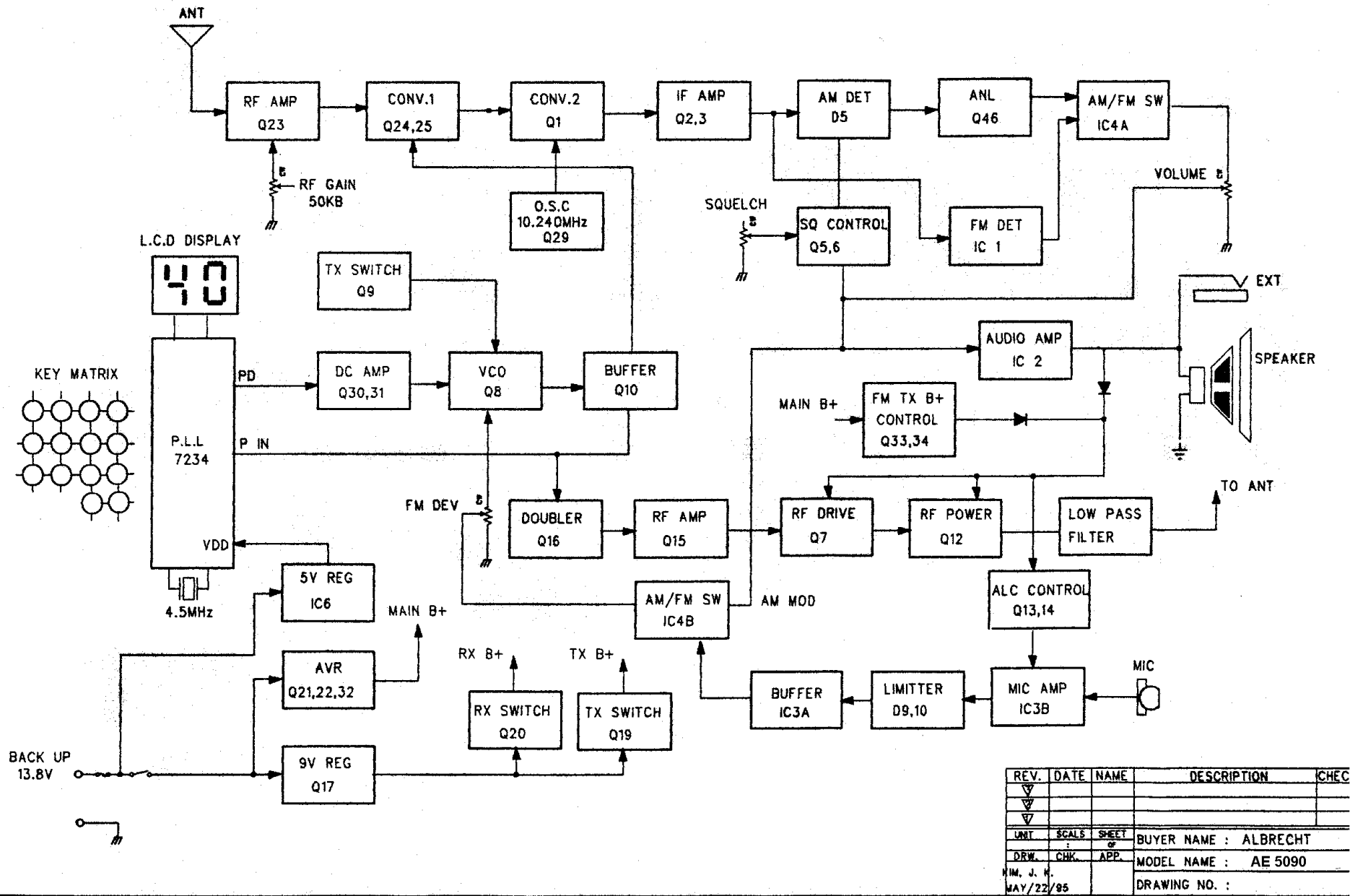


# BLOCK DIAGRAM



REV.	DATE	NAME	DESCRIPTION	CHEC
▽				
▽				
UNIT	SCALS	SHEET	BUYER NAME : ALBRECHT	
DRW.	CHK.	APP.	MODEL NAME : AE 5090	
M.M. J. H.			DRAWING NO. :	
MAY/22/95				