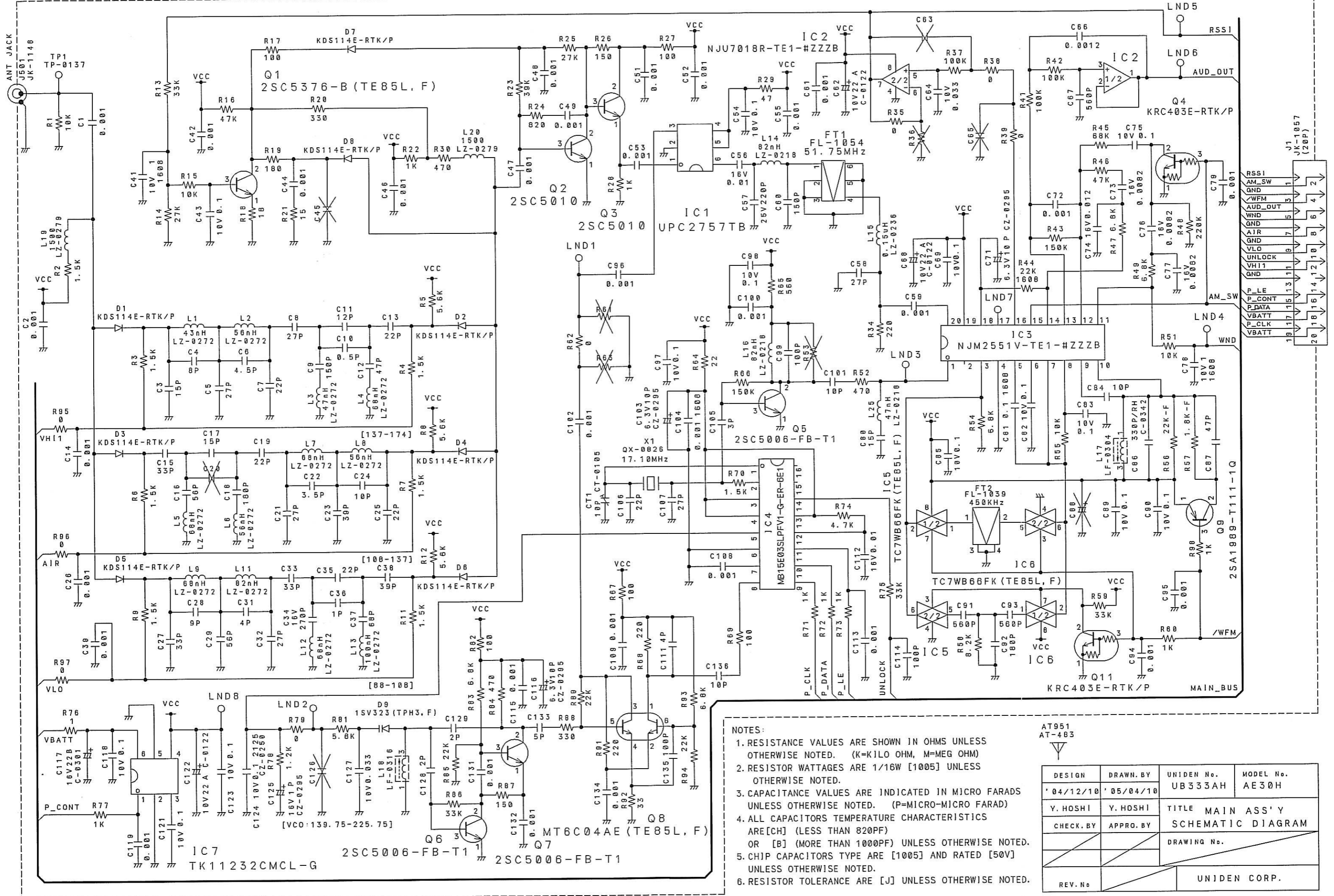


- NOTES:
1. RESISTANCE VALUES ARE SHOWN IN OHMS UNLESS OTHERWISE NOTED. (K=KILLO OHM, M=MEG OHM)
 2. RESISTOR WATTAGES ARE 1/16W [1005] UNLESS OTHERWISE NOTED.
 3. CAPACITANCE VALUES ARE INDICATED IN MICRO FARADS UNLESS OTHERWISE NOTED. (P=MICRO-MICRO FARAD)
 4. ALL CAPACITORS TEMPERATURE CHARACTERISTICS ARE [CH] (LESS THAN 1000PF) OR [B] (MORE THAN 1000PF) UNLESS OTHERWISE NOTED.
 5. CHIP CAPACITORS TYPE ARE [1005] AND RATED [50V] UNLESS OTHERWISE NOTED.
 6. RESISTOR TOLERANCES ARE [J] UNLESS OTHERWISE NOTED.

DESIGN	DRAWN BY	UNIDEN No.	MODEL No.
'04/12/10	'05/04/10	UB333AH	AE30H
Y. HOSHI	M. KOMA	TITLE KEY ASS'Y	
CHECK BY	APPRO BY	SCHEMATIC DIAGRAM	
		DRAWING No.	
REV. No.		UNIDEN CORP.	



- NOTES:
1. RESISTANCE VALUES ARE SHOWN IN OHMS UNLESS OTHERWISE NOTED. (K=KILO OHM, M=MEG OHM)
 2. RESISTOR WATTAGES ARE 1/16W [1005] UNLESS OTHERWISE NOTED.
 3. CAPACITANCE VALUES ARE INDICATED IN MICRO FARADS UNLESS OTHERWISE NOTED. (P=MICRO-MICRO FARAD)
 4. ALL CAPACITORS TEMPERATURE CHARACTERISTICS ARE [CH] (LESS THAN 820PF) OR [B] (MORE THAN 1000PF) UNLESS OTHERWISE NOTED.
 5. CHIP CAPACITORS TYPE ARE [1005] AND RATED [50V] UNLESS OTHERWISE NOTED.
 6. RESISTOR TOLERANCE ARE [J] UNLESS OTHERWISE NOTED.

AT951
AT-4B3

DESIGN	DRAWN BY	UNIDEN No.	MODEL No.
'04/12/10	'05/04/10	UB333AH	AE30H
Y. HOSHI	Y. HOSHI	TITLE MAIN ASS'Y SCHEMATIC DIAGRAM	
CHECK BY	APPRO BY	DRAWING No.	
REV. No		UNIDEN CORP.	