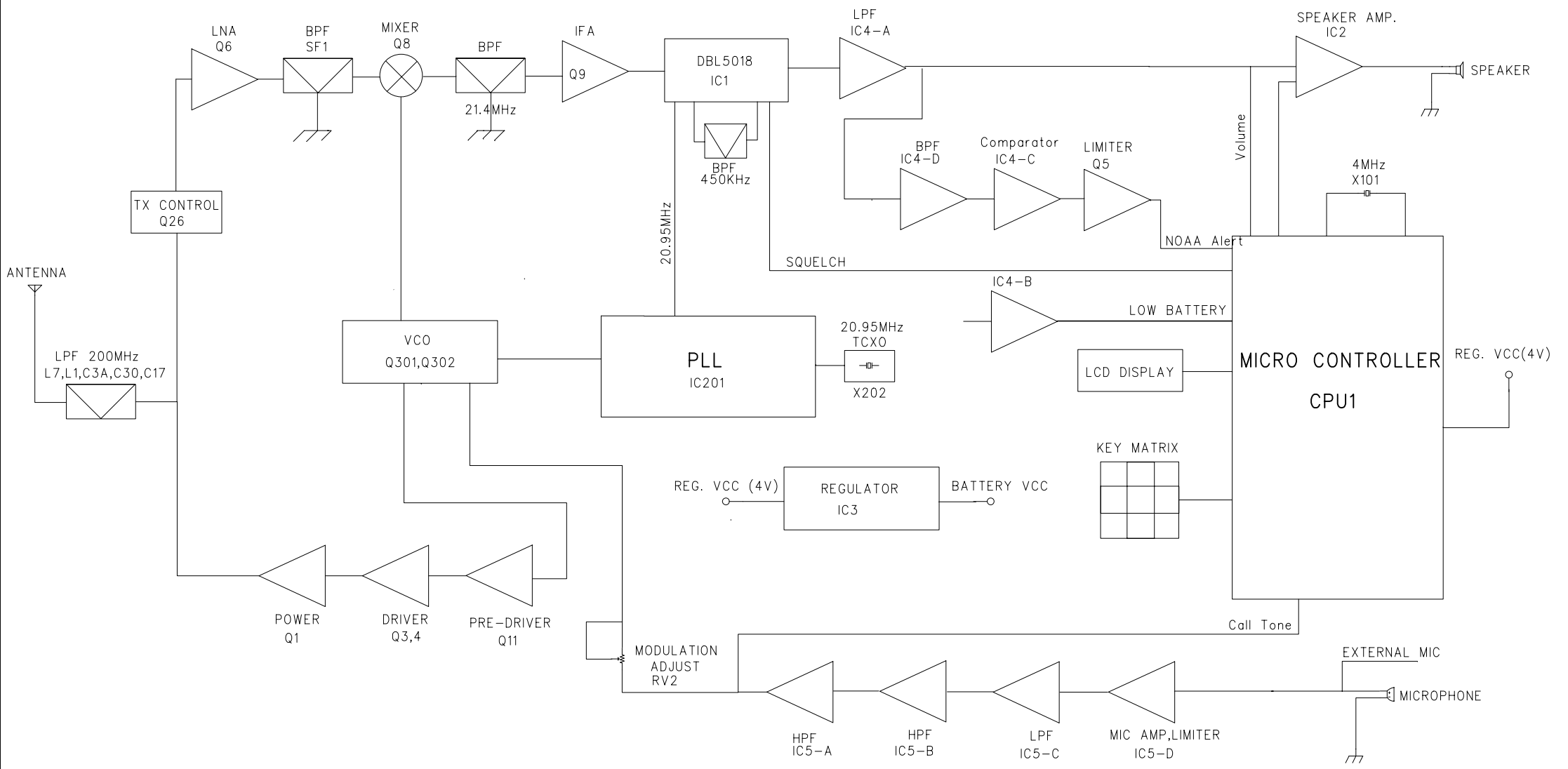


# Atlantic BLOCK DIAGRAM

BLOCK DIAGRAM				
Title	ATLANTICBLK.SCH			
Drawn	Sheet	Drawing No	PCB No	REV